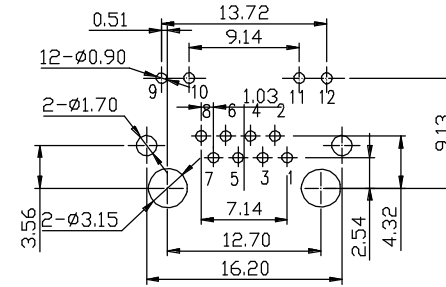
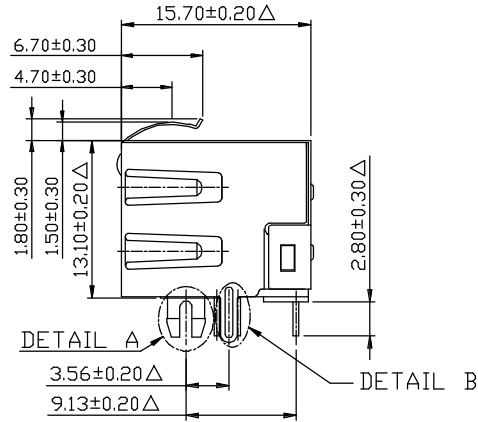
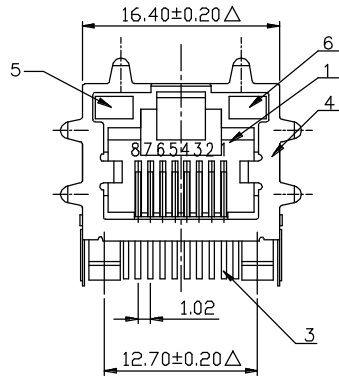


THE INFORMATION CONTAINED IN THIS DOCUMENT IS PROPRIETARY TO JEN JIA PRECISION TECHNOLOGY CO.,LTD. ANY REPRODUCTION IN PART OR WHOLE WITHOUT PRIOR WRITTEN APPROVAL OR AUTHORIZATION OF JEN JIA PRECISION TECHNOLOGY CO.,LTD IS STRICTLY PROHIBITED.

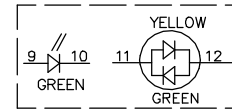
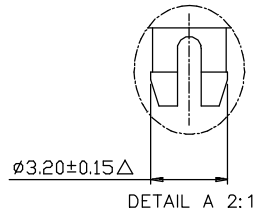
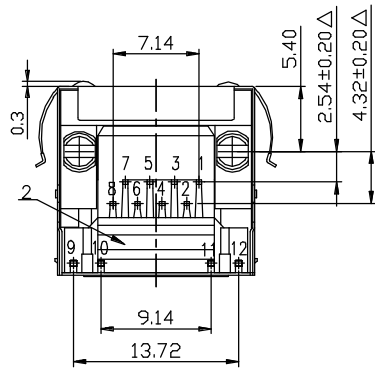
RoHS COMPLIANT

REVISIONS

REV	ECN NO.	DESCRIPTION	APPROVED BY	DATE
1		PROPOSAL DRAWING	DarrenXia	2010-05-22



RECOMMENDED P.C.B LAYOUT TOP VIEW
(COMPONENT SIDE DIM ±0.05)



LED PIN DEFINE

J1810-42002-XX S XX 1

See Note

Plating spec.

- 15-6u"
- 19-15u"
- 23-30u"

DO NOT SCALE DRAWING

NOTE:

- 1.Housing:Glass Filled PA46 BLACK UL94V-0
- 2.Insert:Glass Filled PBT BLACK
- 3.Contact:0.35mm. Phosphor Bronze Plating Over Nickel.
- 4.Shielding:0.2mm Thickness Copper Alloy with Nickel Plated
- 5.Led1: Green
- 6.Led2: 白發黃綠

DIMENSIONS:	
<input type="checkbox"/> MM [INCH]	<input type="checkbox"/> INCH [MM]
<input checked="" type="checkbox"/> MM ONLY	
UNLESS OTHERWISE SPECIFIED, GENERAL TOLERANCE:	
DECIMALS	ANGLES
X. ±0.38 [0.015]	X° ±3°
.X ±0.25 [0.010]	.X° ±1.0°
.XX ±0.13 [0.005]	
CAD GENERATED DRAWING, DO NOT MANUALLY UPDATE	
THIRD ANGLE PROJECTION	

JJP Jen Jia Precision Technology Co., Ltd.

TITLE	RJ45 JACK WITH LED		
PART NO.	J1810-42002-XXSXX1	APPROVED BY	JASON MENG
DRAWING NO.	J1810-42002-XXSXX1	CHECKED BY	STEVEN LIU
MATERIAL		DRAWN BY	Darren Xia
FINISH		GENERATD DATE	2010-05-22
SCALE	SHEET	REV.	SIZE: A4
FREE	1/1	1	FILE NO.:JJP-A-05-003