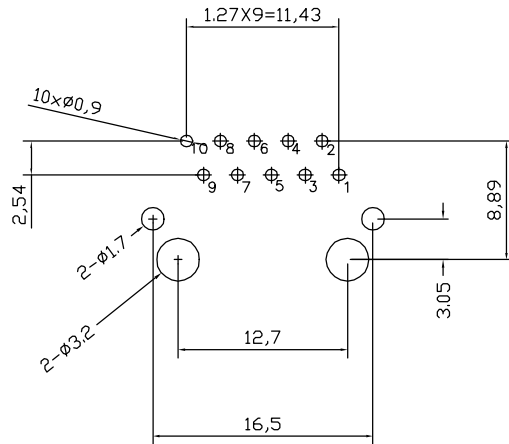
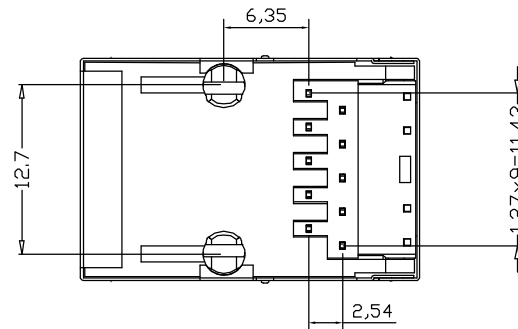
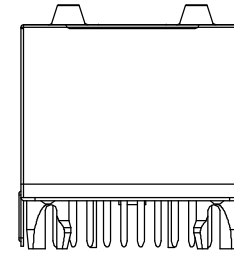
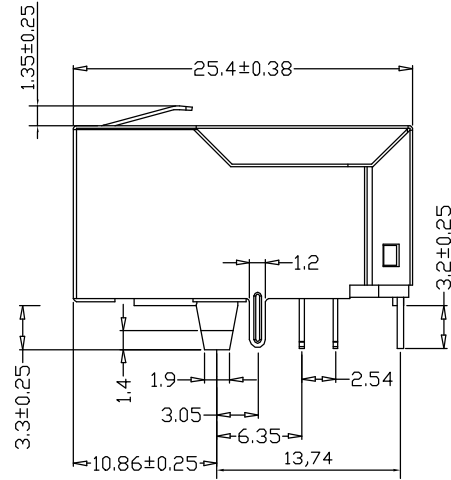
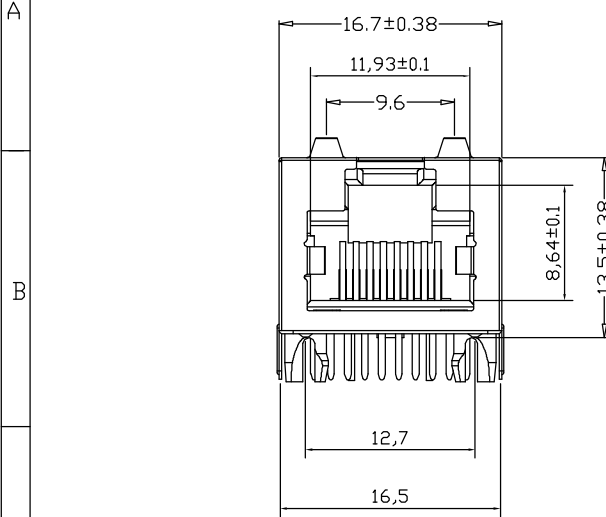


THE INFORMATION CONTAINED IN THIS DOCUMENT IS PROPRIETARY TO JEN JIA PRECISION TECHNOLOGY CO.,LTD, ANY REPRODUCTION IN PART OR WHOLE WITHOUT PRIOR WRITTEN APPROVAL OR AUTHORIZATION OF JEN JIA PRECISION TECHNOLOGY CO.,LTD IS STRICTLY PROHIBITED.

RoHS COMPLIANT

REVISIONS

REV	ECN NO.	DESCRIPTION	APPROVED BY	DATE
A		ISSUE A	JASON MENG	2011-12-06



PCB Layout

NOTE:

- 1.Shielded - 0.20mm THICKNESS BRASS C2680 H. PLATING NICKEL 30u"-50u".
- 2.Housing- Standard Material Nylon66,Glass Filled Polyester UL94V-0 Standed Color Black.
- 3.Insert Pin- Plastic:Nylon66 UL94V-0,Standard Color Black. Pin:0.35mm Thickness Phos-Bronze C5210 EH. Plating:Nickel40u"-60u" for all and Sn 100% ,and Gold Plating.
- 4.Contact Pin- Plastic:Nylon66,Glass Filled,UL94V-0, Standard Color Black. Pin:0.35mm Thickness SUS430. Plating:Nickel40u"-60u" for all and Sn 100%.

DO NOT SCALE DRAWING

DIMENSIONS:	
<input type="checkbox"/> MM [INCH]	<input type="checkbox"/> INCH [MM]
<input checked="" type="checkbox"/> MM ONLY	
UNLESS OTHERWISE SPECIFIED, GENERAL TOLERANCE:	
DECIMALS	ANGLES
X. ±0.38 [0.015]	X° ±3°
.X ±0.25 [0.010]	.X° ±1.0°
.XX ±0.13 [0.005]	
CAD GENERATED DRAWING, DO NOT MANUALLY UPDATE	
THIRD ANGLE PROJECTION	

<b>JJP</b> Jen Jia Precision Technology Co., Ltd.			
TITLE	RJ45 WITH LED,TRANSFORMER CONNECTOR (10/100/1000 Base-T)		
PART NO.	J1810-47WG124H03	APPROVED BY	JASON MENG
DRAWING NO.	J1810-47WG124H03	CHECKED BY	STEVEN LIU
MATERIAL		DRAWN BY	DarrenXia
FINISH		GENERATED DATE	2011-12-06
SCALE	SHEET	REV.	SIZE: A4
FREE	1/1	A	FILE NO.:JJP-A-05-003

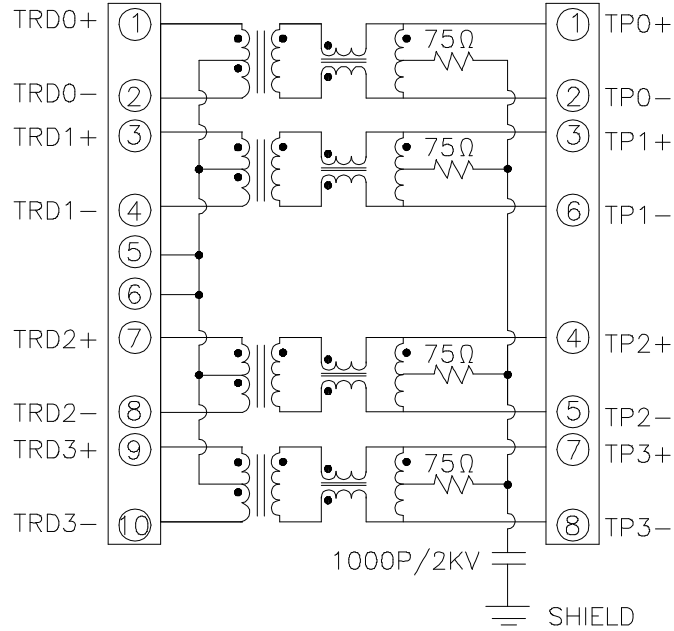
THE INFORMATION CONTAINED IN THIS DOCUMENT IS PROPRIETARY TO JEN JIA PRECISION TECHNOLOGY CO.LTD, ANY REPRODUCTION IN PART OR WHOLE WITHOUT PRIOR WRITTEN APPROVAL OR AUTHORIZATION OF JEN JIA PRECISION TECHNOLOGY CO.LTD IS STRICTLY PROHIBITED.

RoHS COMPLIANT

REVISIONS

REV	ECN NO.	DESCRIPTION	APPROVED BY	DATE
A		ISSUE A	JASON MENG	2011-12-06

Type G1

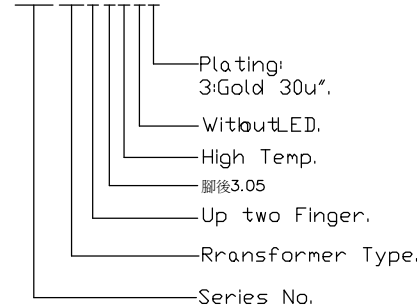


ELECTRICAL SPECIFICATIONS@25

Turn Ratio: 1:1  
 INSERTION LOSS (<math>f</math>=100MHz): -1.0dB MAX.  
 Return Loss (dB MIN): >18dB(1-30MHz)  
 - [18-20LOG(<math>f</math>/30MHz)]dB (30-60 MHz), -12dB(60- 80MHz)  
 Cross talk (dB MIN): >50dB(0.5-1MHz), -50dB(10MHz)  
 - 40dB (30MHz), -35dB (50MHz), -30dB (100MHz)  
 CMR(dB MIN): -50dB(0.3-1MHz), -47dB(10MHz)  
 -42dB (30MHz), -37dB (60MHz), -30dB (100MHz)  
 CDMR(dB MIN): -50dB(0.3-1MHz), -50dB(10MHz)  
 -50dB (30MHz), -45dB (60MHz), -40dB (100MHz)  
 HI-PDT TEST: 1500Vrms/1.0mA/ 3Sec.  
 PRIMARY INDUCTANCE: 350uH MIN @100KHz/0.1V, 8mA  
 D.C.BIAS  
 RoHS compliance: YES

Part Number:

J1810-47WG124H03



Environmental :

- Storage Temp: -40°C to +85°C.
- Operating Temp: 0°C to +70°C.
- MATES WITH MODULAR PLUG CONFORMING TO FCC PART 68, SUBPART F.

DO NOT SCALE DRAWING

Code	RJ45 Plating			LED Code				
	Contact Area	Solder tail	Under plating	Left LED		Right LED		
F	3μ" gold	150μ"	50μ"	A	Green	-	Yellow	-
1	6μ" gold			B	Yellow	-	Green	-
2	15μ" gold			C	Green	-	Green	-
3	30μ" gold			D	-	Green	-	Yellow
4	50μ" gold			E	-	Yellow	-	Green
				F	Yellow	-	Orange	Green
				G	Orange	Green	Yellow	-
				H	Green	-	-	Yellow
				0	-	-	-	-

Ordering Code:

XXX XXX XX X X X  
 ① ② ③ ④ ⑤ ⑥

- Series No.
- Transformer Type:
- Shield Type.
- R= 低溫料; H= 高溫料.
- LED Code: See above table
- RJ45 Plating

DIMENSIONS:	
<input type="checkbox"/> MM [INCH]	<input type="checkbox"/> INCH [MM]
<input checked="" type="checkbox"/> MM ONLY	
UNLESS OTHERWISE SPECIFIED, GENERAL TOLERANCE:	
DECIMALS	ANGLES
X. ±0.38 [0.015]	X° ±3°
.X ±0.25 [0.010]	.X° ±1.0°
.XX ±0.13 [0.005]	
CAD GENERATED DRAWING, DO NOT MANUALLY UPDATE	
THIRD ANGLE PROJECTION	

JJP Jen Jia Precision Technology Co., Ltd.

TITLE	RJ45 WITH LED, TRANSFORMER CONNECTOR (10/100/1000 Base-T)		
PART NO.	J1810-47WG124H03	APPROVED BY	JASON MENG
DRAWING NO.	J1810-47WG124H03	CHECKED BY	STEVEN LIU
MATERIAL		DRAWN BY	Darren Xia
FINISH		GENERATED DATE	2011-12-06
SCALE	SHEET	REV.	SIZE: A4
FREE	1/1	A	FILE NO.: JJP-A-05-003